

Ready To Serve Dispensers

Bag-In-The-Box

Dispense Iced Cappuccino, Milk, Creamers, Fruit Smoothies, Juice, Iced Coffee, or any Non-Carbonated Beverage.



Standard Features

- **Accepts (2x) 2³/₄ gal. Beverages** – Suitable for any non-carbonated drink.
- **Bag-In-The-Box Dispenser** – Accepts any bag-in-box or bag-in-basket size/format.
- **Stands Out From The Crowd** – Back lit and customizable P.O.P. graphic.
- **Hygienic** – Unique pull out drip tray and surroundings are easy to keep clean.
- **Door & Faucets Can Be Key Locked** – Eliminates unauthorized tampering of product.
- **Easy Installation & Smooth Operation.**
- **No Waterlines Needed.**

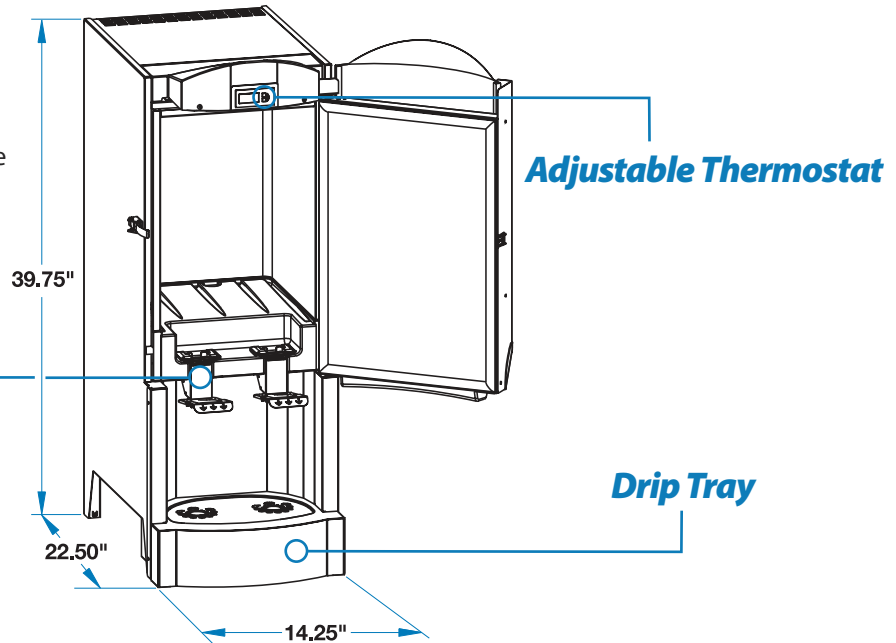
Specifications subject to change without notice

Dispense It Cold!

Ready To Serve Dispensers

Dimensions & Features

Approved For Dairy
Conforms With NSF 20 – Entire Pack is Chilled Including Nozzle



Options



Iced Cappuccino/Coffee P.O.P. Graphic

Display Graphic – Part # 08423
Flavor Labels – “Mocha” Part # 08424
 “French Vanilla” Part # 08425



Fresh Milk P.O.P. Graphic

Display Graphic – Part # 08426
Flavor Labels – “Fresh Milk” Part # 08427



Specifications

Model	Adjustable Temp. Range	Dimensions W x D x H	Basket & Carton Dim. W x D x H	Electrical	Ship Weight
RTS-2	35°F - 50°F	14¼" x 22½" x 39¾"	5½" x 12½" x 15¾"	120V, 1.8KW, 15A	95 lbs.

Specifications subject to change without notice

Tel: 800.935.2211
Tel: 718.932.1414
Fax: 718.932.7860

www.cecilware.com

Cecilware Corporation
43-05 20th Ave., LIC NY 11105

